

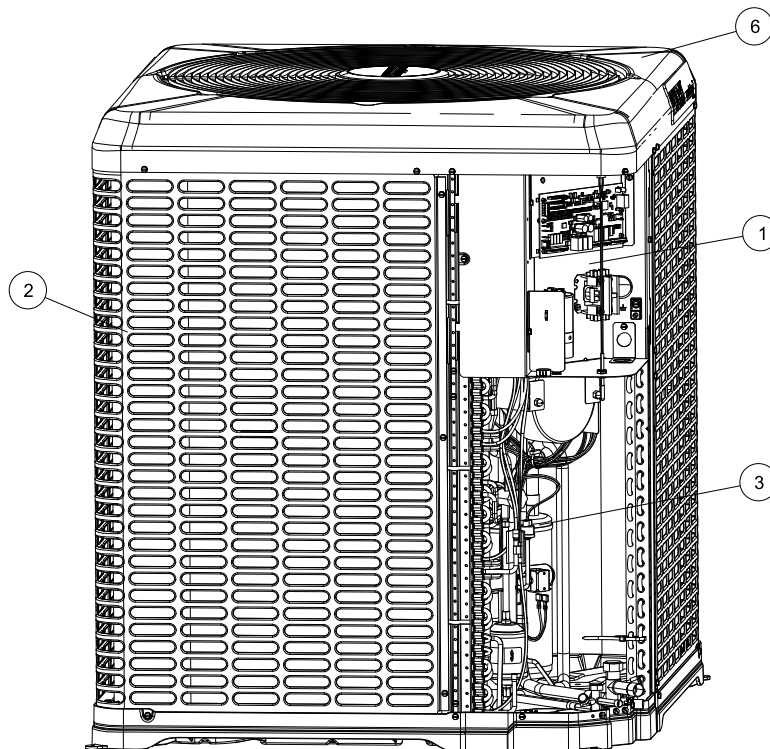
YZT SERIES - 19 SEER 1 STAGE HEAT PUMPS, R-410A

REPAIR PARTS LIST

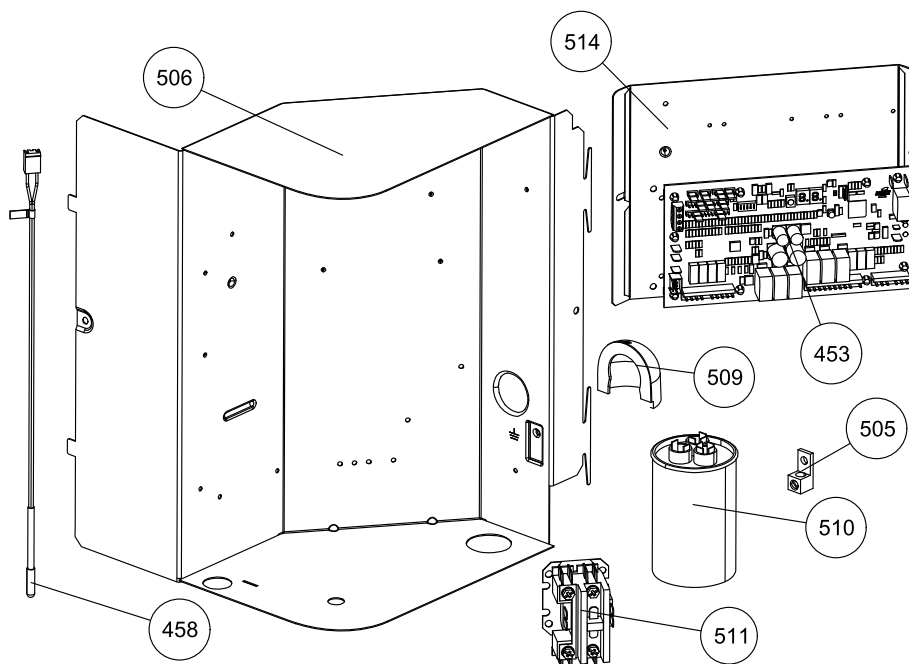
UPDATED: 07/2018

SUPERCEDES: NOTHING

035-26518-001 Rev. A (0718)



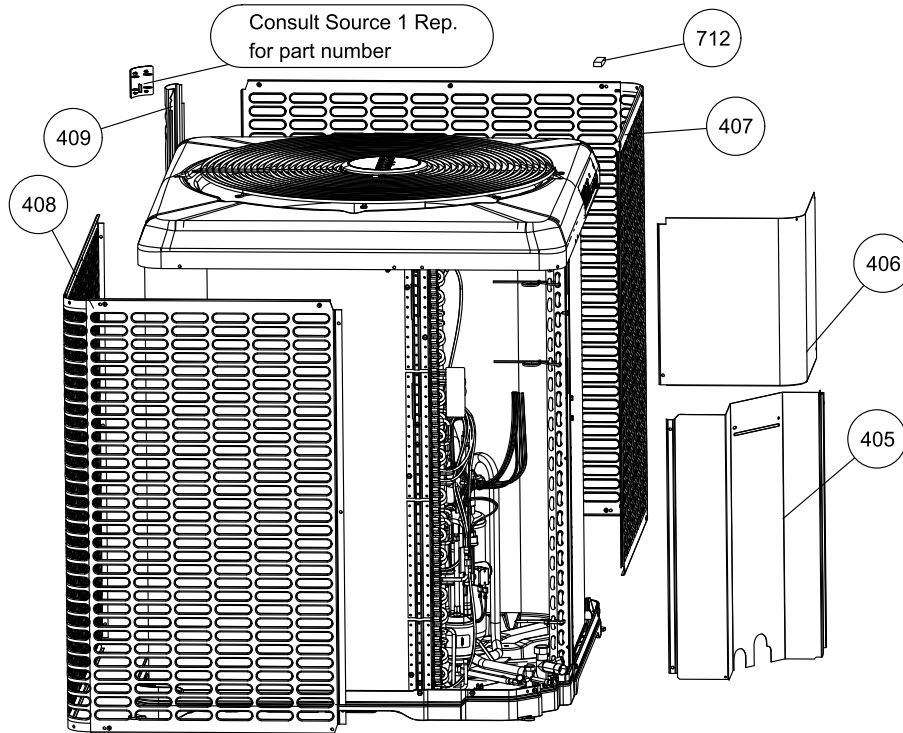
| Section | Description |
|---------|--|
| 1 | ELECTRICAL BOX / CONTROLS |
| 2 | SHEET METAL / CABINET PARTS |
| 3 | REFRIGERATION SYSTEM |
| 3E | REFRIGERATION SYSTEM-PIPING |
| 6 | ROOF ASSEM / OUTDOOR FAN AND MOTOR PARTS |
| 8 | MISCELLANEOUS |
| 9 | WIRING DIAGRAMS |
| 10 | HARNESSES |



Section : ELECTRICAL BOX / CONTROLS

| Section | Item | Part Number | Description | YZT24B21 S | YZT36B21 S | YZT48B21 S | YZT60B21 S | |
|---------|------|----------------|--|---------------|---------------|---------------|---------------|--|
| 1 | NS | S1-02509080000 | BUSHING,STRAIN RELIEF | 1 | 1 | 1 | 1 | |
| 1 | 453 | S1-33103749000 | BOARD,CONTROL,AC/HP KIT | 1 | 1 | 1 | 1 | |
| 1 | 458 | S1-02550186000 | SENSOR,AMBIENT,15 INCH LEADS | 1 | 1 | 1 | 1 | |
| 1 | 505 | S1-02521798000 | LUG,GROUND,ELECTRICAL ALUMINUM 1.06 X .5 | 1 | 1 | 1 | 1 | |
| 1 | 506 | S1-07339486001 | CONTROL BOX,LARGE | 1 | 1 | 1 | 1 | |
| 1 | 509 | S1-02817106000 | GASKET,RAIN HOOD,PLASTIC | 1 | 1 | 1 | 1 | |
| 1 | 510 | S1-02425120700 | CAP,RUN DUAL,45/5MFD,440V,ROUND | | | | 1 | |
| 1 | 510 | S1-02425859700 | CAP,RUN DUAL,35/5MFD,440V,ROUND | 1 | | 1 | | |
| 1 | 510 | S1-02425894700 | CAP,RUN DUAL,40/5MFD,440V,ROUND | | 1 | | | |
| 1 | 511 | S1-02425837700 | CNTCTR,ELECTRICAL,SPNO,40A, 24V | | | | 1 | |
| 1 | 511 | S1-02427531000 | CNTCTR 1 POLE W/SHUNT,30A,24V | 1 | 1 | 1 | | |
| 1 | 514 | S1-07339396004 | PLATE-CONTROLS,LARGE | 1 | 1 | 1 | 1 | |

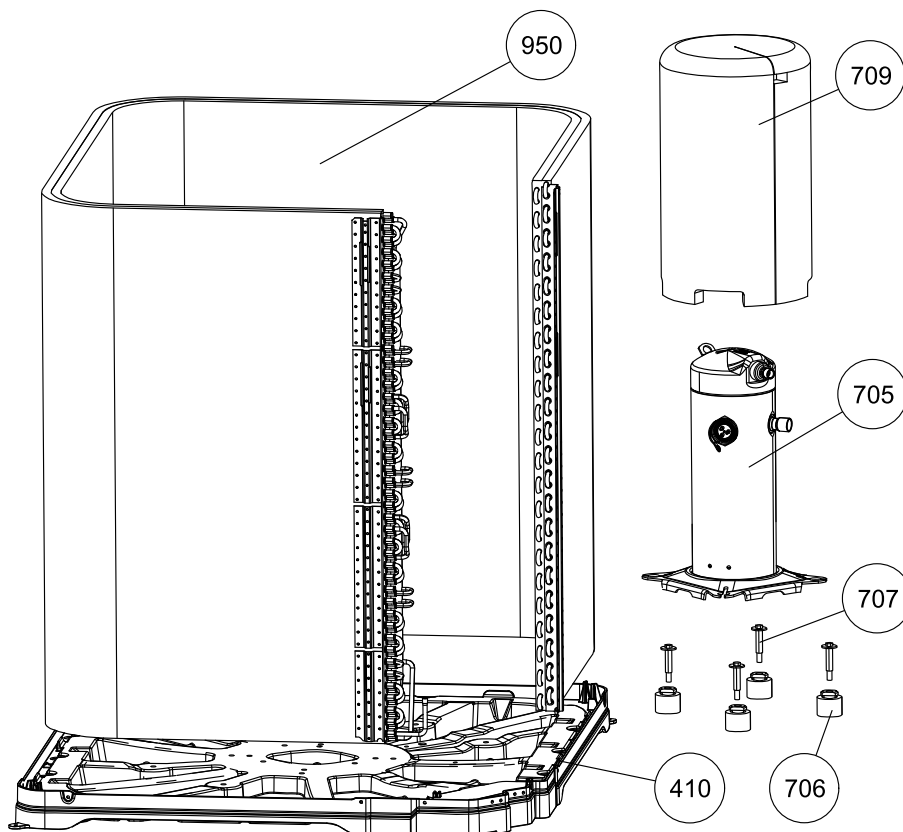
Suggested stocking items are shown with shaded item number.



Section : SHEET METAL / CABINET PARTS

| Section | Item | Part Number | Description | YZT24B21 S | YZT36B21 S | YZT48B21 S | YZT60B21 S | |
|---------|------|----------------|--|---------------|---------------|---------------|---------------|--|
| 2 | NS | S1-02549809000 | HEATER,CC,240V,5.468 INCH DIA | 1 | 1 | | | |
| 2 | NS | S1-02549810000 | HEATER,CC,240V,6.625 INCH DIA | | | 1 | 1 | |
| 2 | 405 | S1-07339399015 | PANEL,BLOCK-OFF,LARGE,35 INCH,CHAMPAGNE | 1 | 1 | | | |
| 2 | 405 | S1-07339487001 | BLOCK-OFF PANEL,LG,H42 INCH,CHAMPAGNE | | | 1 | 1 | |
| 2 | 406 | S1-07339400004 | COVER,CONTROL BOX,LG,CHAMPAGNE | 1 | 1 | 1 | 1 | |
| 2 | 407 | S1-07339398024 | PNL_COILGUARD,C-BASE,35INCH,CHAMPAGNE,RH | 1 | | | | |
| 2 | 407 | S1-07339398028 | PNL_COILGUARD,D-BASE,35INCH,CHAMPAGNE,RH | | 1 | | | |
| 2 | 407 | S1-07339462001 | GUARD,COIL,RIGHT,ED,42 INCH,CHAMPAGNE | | | 1 | 1 | |
| 2 | 408 | S1-07339398026 | PNL_COILGUARD,C-BASE,35INCH,CHAMPAGNE,LH | 1 | | | | |
| 2 | 408 | S1-07339398030 | PNL_COILGUARD,D-BASE,35INCH,CHAMPAGNE,LH | | 1 | | | |
| 2 | 408 | S1-07339462004 | GUARD,COIL,LEFT,ED,42 INCH,CHAMPAGNE | | | 1 | 1 | |
| 2 | 409 | S1-07339466001 | POST,CORNER,42 INCH,CHAMPAGNE | | | 1 | 1 | |
| 2 | 409 | S1-07339466004 | POST,CORNER,35 INCH,CHAMPAGNE | 1 | 1 | | | |
| 2 | 712 | S1-02817062000 | MOUNT,COILGUARD,STANDOFF | 4 | 4 | 4 | 4 | |

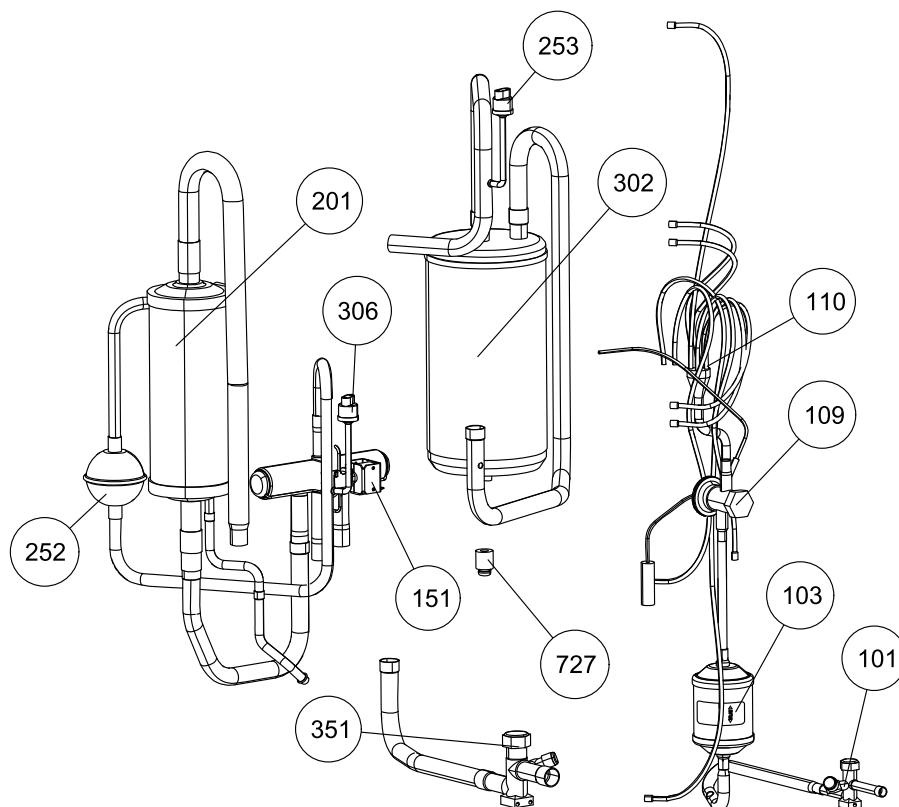
Suggested stocking items are shown with shaded item number.



Section : REFRIGERATION SYSTEM

| Section | Item | Part Number | Description | YZT24B21 S | YZT36B21 S | YZT48B21 S | YZT60B21 S | |
|---------|------|----------------|--|---------------|---------------|---------------|---------------|--|
| 3 | 410 | S1-02817393000 | BASE PAN,PLASTIC,EC | 1 | | | | |
| 3 | 410 | S1-02817394000 | BASE PAN,PLASTIC,ED | | 1 | 1 | 1 | |
| 3 | 705 | S1-01505095004 | COMPR.SROLL,208/230-1-60,R-410A,POE | 1 | | | | |
| 3 | 705 | S1-01505096004 | COMPR.SROLL,208/230-1-60,R-410A,POE | | 1 | | | |
| 3 | 705 | S1-01505097004 | COMPR.SROLL,208/230-1-60,R-410A,POE | | | 1 | | |
| 3 | 705 | S1-01505098004 | COMPR.SROLL,208/230-1-60,R-410A,POE | | | | 1 | |
| 3 | 706 | S1-02810505000 | GROMMET | 4 | 4 | 4 | 4 | |
| 3 | 707 | S1-02118391000 | BOLT,COMPRESSOR (M4) | 4 | 4 | 4 | 4 | |
| 3 | 709 | S1-01008596000 | BLANKET,SOUND ZPS19-29K6,ZR30-42K3 | 1 | 1 | | | |
| 3 | 709 | S1-01008597000 | BLANKET,SOUND ZPS40-49K6,ZR46-81K3 | | | 1 | 1 | |
| 3 | 950 | S1-37339424003 | COIL,OD ASSEM,35 INCH,22 FPI,1 ROW,HP | 1 | | | | |
| 3 | 950 | S1-37339458001 | COIL,OD,BRAZED ASSEM,42IN,18FPI,2R,ED,HP | | | 1 | | |
| 3 | 950 | S1-37339458002 | COIL,OD,BRAZED ASSEM,42IN,18FPI,2R,ED,HP | | | | 1 | |

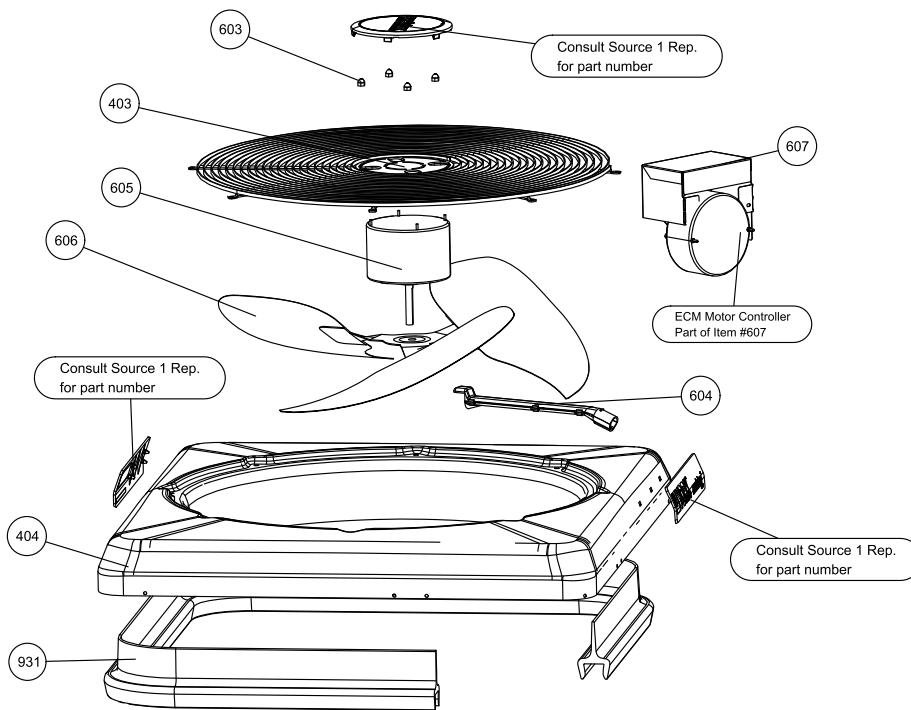
Suggested stocking items are shown with shaded item number.



Section : REFRIGERATION SYSTEM-PIPING

| Section | Item | Part Number | Description | YZT24B21 S | YZT36B21 S | YZT48B21 S | YZT60B21 S | |
|---------|------|----------------|--|---------------|---------------|---------------|---------------|--|
| 3E | NS | S1-02202475700 | CORE,VLV,V PORT (M10) | 1 | 1 | 1 | 1 | |
| 3E | NS | S1-02208982000 | VLV,BODY ASSEM | 1 | 1 | 1 | 1 | |
| 3E | NS | S1-02310745000 | CAP,SEAL,KNURLED 7/1 | 1 | 1 | 1 | 1 | |
| 3E | NS | S1-02547281000 | SENSOR,TEMP DEFROST THERMISTOR | 1 | 1 | 1 | 1 | |
| 3E | NS | S1-02549148000 | SENSOR,TEMP,1/2 INCH CLIP | 1 | 1 | 1 | 1 | |
| 3E | 101 | S1-02322459000 | VALVE,BASE,3/8 INCH | 1 | 1 | 1 | 1 | |
| 3E | 103 | S1-32649682000 | FILTER-DRIER,BI-FLOW,SS,3/8 CONNECT,KIT | 1 | 1 | 1 | 1 | |
| 3E | 109 | S1-02538739036 | VLV,TXV,3/8ODM X 3/8ODF,97.0PSIG,SPORLAN | | 1 | | | |
| 3E | 109 | S1-02538739060 | VLV,TXV,3/8ODM X 3/8ODF,98.0PSIG,SPORLAN | | | | 1 | |
| 3E | 109 | S1-02541346000 | VLV,TXV,3/8ODM X 3/8ODF,94.2PSIG,SPORLAN | 1 | | | | |
| 3E | 109 | S1-02547302000 | VLV,TXV,3/8ODM X.375ODF,2T,R410A,PARKER | | | 1 | | |
| 3E | 110 | S1-02213417000 | DISTRIBUTOR,10 LEG | | | 1 | | |
| 3E | 110 | S1-02213418000 | DISTRIBUTOR,12 LEG | | | | 1 | |
| 3E | 110 | S1-02213419000 | DISTRIBUTOR,8 CIRCUIT | | 1 | | | |
| 3E | 110 | S1-02213420000 | DISTRIBUTOR,5 CIRCUIT | 1 | | | | |
| 3E | 151 | S1-02547288000 | VLV,REVERSING W/COIL | 1 | 1 | | | |
| 3E | 151 | S1-02547289000 | VLV,REVERSING,W/COIL | | | 1 | 1 | |
| 3E | 201 | S1-02625573001 | ACCUMULATOR,SUCTION | 1 | 1 | | | |
| 3E | 201 | S1-02625573003 | ACCUMULATOR,SUCTION | | | 1 | 1 | |
| 3E | 252 | S1-02212983000 | MUFFLER | 1 | 1 | 1 | 1 | |
| 3E | 253 | S1-02550189000 | SWITCH,LOW PRESSURE,PLUG/L,60/30 | 1 | 1 | 1 | 1 | |
| 3E | 302 | S1-02635434000 | COMPENSATOR TANK | | 1 | 1 | 1 | |
| 3E | 306 | S1-02550188000 | SWITCH,HIGH PRESSURE,PLUG/L 650/450 | 1 | 1 | 1 | 1 | |
| 3E | 351 | S1-02322460000 | VALVE,BASE,3/4 INCH | 1 | 1 | | | |
| 3E | 351 | S1-02322461000 | VALVE,BASE,7/8 INCH | | | 1 | 1 | |
| 3E | 727 | S1-02817388000 | GROMMET,ACCUMULATOR MOUNT | 1 | 1 | 1 | 1 | |

Suggested stocking items are shown with shaded item number.



Section : ROOF ASSEM / OUTDOOR FAN AND MOTOR PARTS

| Section | Item | Part Number | Description | YZT24B21 S | YZT36B21 S | YZT48B21 S | YZT60B21 S | |
|---------|------|----------------|--|------------|------------|------------|------------|--|
| 6 | 403 | S1-02649685000 | GUARD,FAN,24 INCH,BLACK | 1 | | | | |
| 6 | 403 | S1-02649691000 | GUARD,FAN,26 INCH,BLACK | | 1 | 1 | 1 | |
| 6 | 404 | S1-07339395007 | TOP,CHAMPAGNE,C-BASE | 1 | | | | |
| 6 | 404 | S1-07339395010 | TOP,CHAMPAGNE,D-BASE | | 1 | 1 | 1 | |
| 6 | 404 | S1-07339469001 | TOP,CHAMPAGNE,C-BASE | 1 | | | | |
| 6 | 404 | S1-07339469003 | TOP,CHAMPAGNE,D-BASE | | 1 | 1 | 1 | |
| 6 | 603 | S1-36390117700 | NUT,ACORN KIT #8-32 UNC | 6 | 6 | 6 | 6 | |
| 6 | 604 | S1-02816469000 | WIREWAY (C) | 1 | | | | |
| 6 | 604 | S1-02816470000 | WIREWAY (D) | | 1 | 1 | 1 | |
| 6 | 605 | S1-02439705000 | MTR,COND,240V,1/3,200-1200 RPM,CW,ECM | 1 | 1 | 1 | 1 | |
| 6 | 606 | S1-02642370000 | FAN,PROP,24,CW,3-28,1/2 INCH BORE | 1 | | | | |
| 6 | 606 | S1-02649677000 | FAN,PROP,26 INCH,CW,3-30 DEG,0.5 IN BORE | | 1 | 1 | 1 | |
| 6 | 607 | S1-07339432001 | SHIELD,RAIN,OD ECM | 1 | 1 | 1 | 1 | |
| 6 | 931 | S1-02817070000 | MOUNT,COIL,FOAM MOLDED,OD,TF1, EC | 1 | | | | |
| 6 | 931 | S1-02817074000 | MOUNT,COIL,FOAM MOLDED,OD,TF2, ED | | 1 | 1 | 1 | |

Suggested stocking items are shown with shaded item number.

Section : MISCELLANEOUS

| Section | Item | Part Number | Description | YZT24B21 S | YZT36B21 S | YZT48B21 S | YZT60B21 S | |
|---------|------|----------------|--|---------------|---------------|---------------|---------------|--|
| 8 | NS | S1-02118396000 | SCREW,AB,#10 X 3/8 INCH,BLACK (M25) | 37 | 37 | 37 | 37 | |
| 8 | NS | S1-02118397000 | SCREW,AB,#10 X 3/4",BLACK (M25) | 8 | 8 | 8 | 8 | |
| 8 | NS | S1-02509607000 | CABLE STRAP | | 1 | 1 | 1 | |
| 8 | NS | S1-02527642000 | CABLE STRAP,BLACK | 2 | 2 | 2 | 4 | |

Suggested stocking items are shown with shaded item number.

Section : WIRING DIAGRAMS

| Section | Item | Part Number | Description | YZT24B21 S | YZT36B21 S | YZT48B21 S | YZT60B21 S | |
|---------|------|-------------|----------------------------|---------------|---------------|---------------|---------------|--|
| 9 | NS | 5390884 | WIRING DIAGRAM - 5.5 X 8.5 | 1 | 1 | 1 | 1 | |

Suggested stocking items are shown with shaded item number.

Section : HARNESES

| Section | Item | Part Number | Description | YZT24B21 S | YZT36B21 S | YZT48B21 S | YZT60B21 S | |
|---------|------|----------------|---------------------------------------|---------------|---------------|---------------|---------------|--|
| 10 | NS | S1-02549806000 | HARNESS,COMPRESSOR W/PLUG | 1 | 1 | 1 | 1 | |
| 10 | NS | S1-02549807000 | HARNESS,COMM,CNTRL INPUT,NO SHIELD | 1 | 1 | 1 | 1 | |
| 10 | NS | S1-02550193000 | HARNESS,COMPRESSOR W/PLUG | 1 | 1 | 1 | 1 | |
| 10 | NS | S1-02550195000 | HARNESS,LOW VOLTAGE,HP | 1 | 1 | 1 | 1 | |
| 10 | NS | S1-02550197000 | HARNESS,RV/CONTACTOR/CAP | 1 | 1 | 1 | 1 | |

Suggested stocking items are shown with shaded item number.

Model series repair parts lists are generated for each model number from the last production bill of material.

Major components and suggested stocking items are shown with shaded item number.

Repair parts lists are subject to change without notice.

TO ORDER AUTHORIZED FACTORY REPLACEMENT PARTS - Contact your Source1 HVAC Parts Distributor or visit our website at www.Source1Parts.com for a Distributor and Dealer listing.

Copyright © 2018 by Johnson Controls Inc. All rights reserved.

Johnson Controls Unitary Products

SUPERCEDES: NOTHING
035-26518-001 Rev. A (0718)