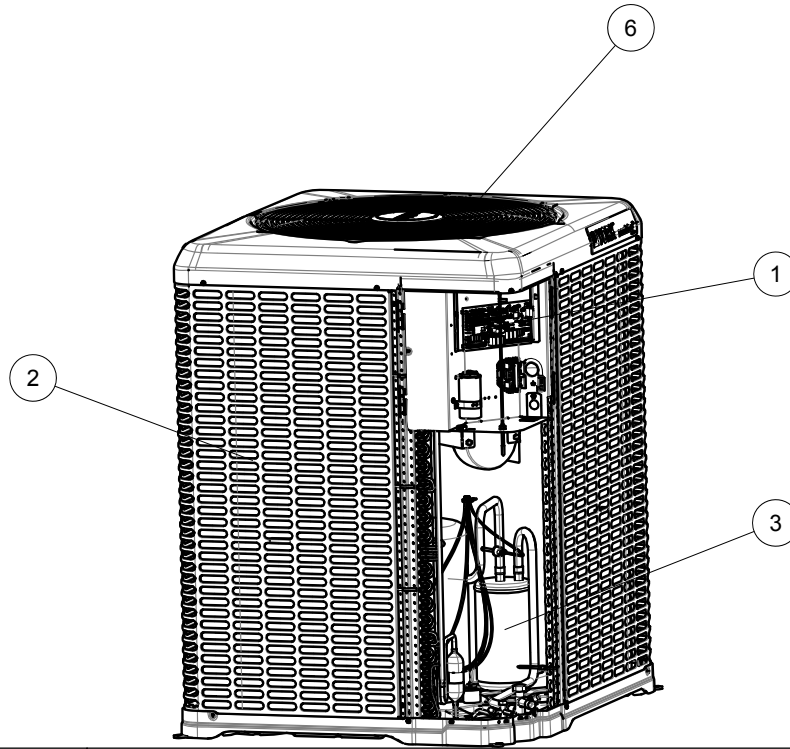


YXT SERIES - 19 SEER AIR CONDITIONING, R-410A

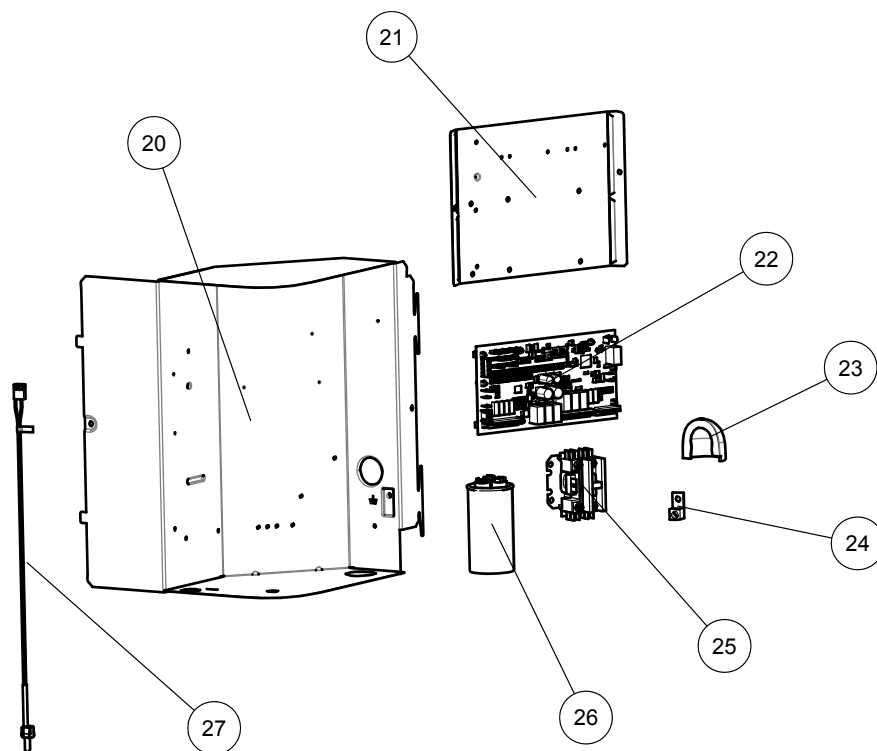
REPAIR PARTS LIST

PRINTED DATE: 4/8/2024

The information provided to you may include Johnson Controls' trade secrets, intellectual property, and confidential business information (including its Bill of Materials), and this information is to be kept in the strictest confidence and not to be disclosed to any third party without the prior written consent of Johnson Controls.



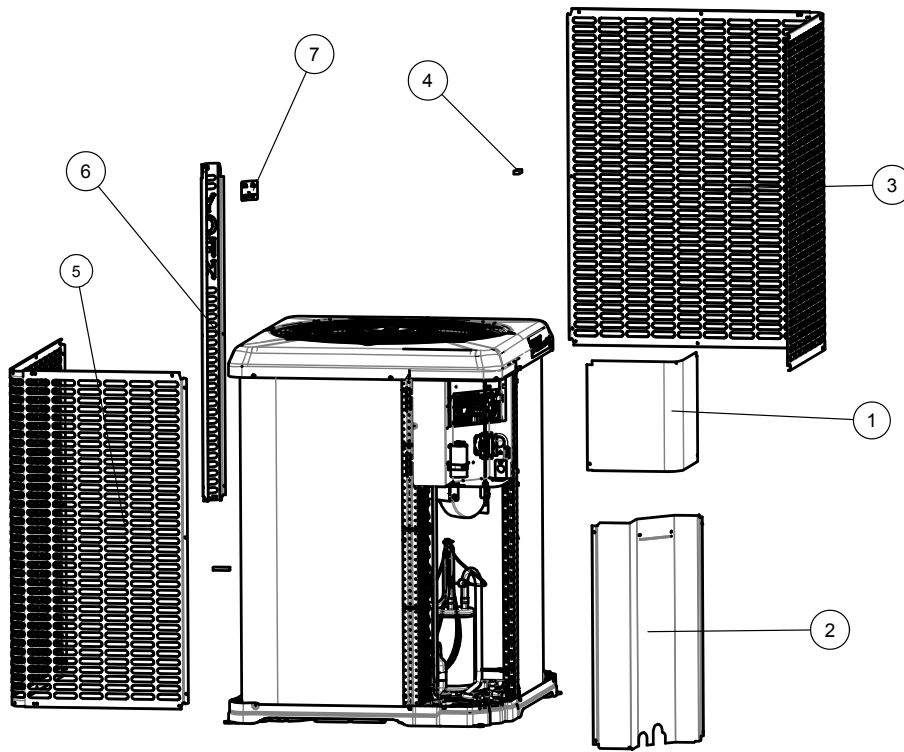
Section	Description
1	ELECTRICAL BOX / CONTROLS
2	SHEET METAL / CABINET PARTS
3	REFRIGERATION SYSTEM
6	ROOF ASSEM / OUTDOOR FAN AND MOTOR PARTS
8	MISCELLANEOUS
9	WIRING DIAGRAMS / VFD PARAMETERS
10	HARNESSES



Section : ELECTRICAL BOX / CONTROLS

Section	Callout	Replacement Part #	Description	Original Part #	YXT24B2 1S	YXT36B2 1S	YXT48B2 1S	YXT60B2 1S	
1	NS	S1-02509080000	BUSHING,STRAIN RELIEF	S1-02509080000	1	1	1	1	
1	20	S1-07339486001	CONTROL BOX,LARGE	S1-07339486001	1	1	1	1	
1	21	S1-07339396004	PLATE-CONTROLS,LARGE	S1-07339396004	1	1	1	1	
1	22	S1-33103753000	BOARD,CONTROL,AC/HP KIT	S1-33103753000	1	1	1	1	
1	23	S1-02817106000	GASKET,RAIN HOOD,PLASTIC	S1-02817106000	1	1	1	1	
1	24	S1-02521798000	LUG,GROUND,ELECTRICAL ALUMINUM 1.06 X .5	S1-02521798000	1	1	1	1	
1	25	S1-02425837700	CNTCTR,ELECTRICAL,SPNO,40 A,24V	S1-02425837700					1
1	25	S1-02427531000	CNTCTR 1 POLE W/SHUNT,30A,24V	S1-02427531000	1	1	1		
1	26	S1-02423998700	CAP,RUN DUAL,35/5MFD,370V,ROUND	S1-02423998700	1		1		
1	26	S1-02425120700	CAP,RUN DUAL,45/5MFD,440V,ROUND	S1-02425120700				1	
1	26	S1-02425893700	CAP,RUN DUAL,40/5MFD,370V,ROUND	S1-02425893700		1			
1	27	S1-02550186000	SENSOR,AMBIENT,15 INCH LEADS	S1-02550186000	1	1	1	1	

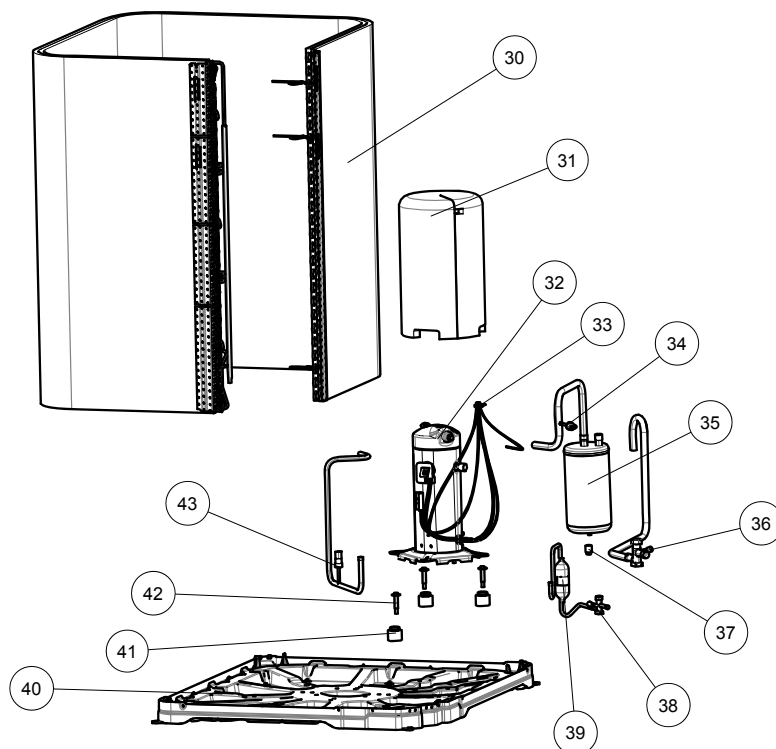
Suggested stocking items are shown with shaded item number.



Section : SHEET METAL / CABINET PARTS

Section	Callout	Replacement Part #	Description	Original Part #	YXT24B2 1S	YXT36B2 1S	YXT48B2 1S	YXT60B2 1S	
2	1	S1-07339400004	COVER,CONTROL BOX,LG,CHAMPAGNE	S1-0733940004	1	1	1	1	
2	2	S1-07339399015	PANEL,BLOCK-OFF,LARGE,35 INCH,CHAMPAGNE	S1-07339399015	1				
2	2	S1-07339487001	BLOCK-OFF PANEL,LG,H42 INCH,CHAMPAGNE	S1-07339487001		1	1	1	
2	3	S1-07339398028	PNL,COILGUARD,D-BASE,35INCH,CHAMPAGNE,RH	S1-07339398028	1				
2	3	S1-07339462001	GUARD,COIL,RIGHT,ED,42 INCH,CHAMPAGNE	S1-07339462001		1	1	1	
2	5	S1-07339398030	PNL,COILGUARD,D-BASE,35INCH,CHAMPAGNE,LH	S1-07339398030	1				
2	5	S1-07339462004	GUARD,COIL,LEFT,ED,42 INCH,CHAMPAGNE	S1-07339462004		1	1	1	
2	6	S1-07339401010	POST,CORNER,35 INCH,CHAMPAGNE	S1-07339401010	1				
2	6	S1-07339466001	POST,CORNER,42 INCH,CHAMPAGNE	S1-07339466001		1	1	1	

Suggested stocking items are shown with shaded item number.

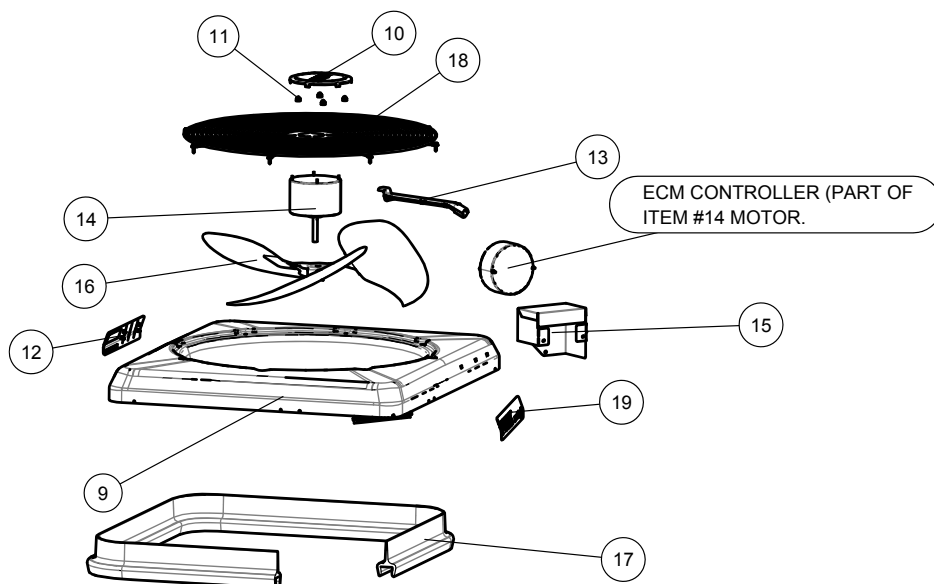


Section : REFRIGERATION SYSTEM

Section	Callout	Replacement Part #	Description	Original Part #	YXT24B2 1S	YXT36B2 1S	YXT48B2 1S	YXT60B2 1S	
3	30	S1-37339488002	COIL,OD,BRAZED ASSEM,2R,ED,H42	S1-37339488002		1	1	1	
3	30	S1-37339488001	COIL,OD,BRAZED ASSEM,1R,ED,H35	S1-37339488001	1				
3	31	S1-01008596000	BLANKET,SOUND ZPS19-29K6,ZR30-42K3	S1-01008596000	1	1			
3	31	S1-01008597000	BLANKET,SOUND ZPS40-49K6,ZR46-81K3	S1-01008597000			1	1	
3	32	S1-01505095004	COMPR,SCROLL,208/230-1-60,R-410A,POE	S1-01505095004	1				
3	32	S1-01505096004	COMPR,SCROLL,208/230-1-60,R-410A,POE	S1-01505096004		1			
3	32	S1-01505097004	COMPR,SCROLL,208/230-1-60,R-410A,POE	S1-01505097004			1		
3	32	S1-01505098004	COMPR,SCROLL,208/230-1-60,R-410A,POE	S1-01505098004				1	
3	33	S1-02549148000	SENSOR,TEMP,1/2 INCH CLIP	S1-02549148000	1	1			
3	33	S1-02549149000	SENSOR,TEMP,5/8 INCH CLIP	S1-02549149000			1	1	
3	34	S1-02549805000	SWITCH,LOW PRESSURE,PLUG,90/60	S1-02549805000	1	1	1	1	
3	35	S1-02625573001	ACCUMULATOR,SUCTION	S1-02625573001		1			
3	35	S1-02625573008	ACCUMULATOR,7/8 ID,108 OZ	S1-02625573008			1	1	
3	36	S1-02322460000	VALVE,BASE,3/4 INCH	S1-02322460000	1	1			
3	36	S1-02322461000	VALVE,BASE,7/8 INCH	S1-02322461000			1	1	
3	37	S1-02817388000	GROMMET,ACCUMULATOR MOUNT	S1-02817388000		1	1	1	

3	38	S1-02322459000	VALVE,BASE,3/8 INCH	S1-02322459000	1	1	1	1	
3	39	S1-6109460	FILTER-DRIER,LIQUID,3/8 ODF,DCL 053S	S1-6109460	1	1	1	1	
3	40	S1-02817394000	BASE PAN,PLASTIC,ED	S1-02817394000	1	1	1	1	
3	41	S1-02810505000	GROMMET	S1-02810505000	4	4	4	4	
3	42	S1-02118391000	BOLT,COMPRESSOR (M4)	S1-02118391000	4	4	4	4	
3	43	S1-02547283000	SWITCH,HIGH PRESSURE,PLUG/PLUG,650/450	S1-02547283000		1		1	
3	43	S1-02550188000	SWITCH,HIGH PRESSURE,PLUG/L 650/450	S1-02550188000	1		1		

Suggested stocking items are shown with shaded item number.



Section : ROOF ASSEM / OUTDOOR FAN AND MOTOR PARTS

Section	Callout	Replacement Part #	Description	Original Part #	YXT24B2 1S	YXT36B2 1S	YXT48B2 1S	YXT60B2 1S	
6	9	S1-07339395010	TOP,CHAMPAGNE,D-BASE	S1-07339395010	1	1	1	1	
6	9	S1-07339469003	TOP,CHAMPAGNE,D-BASE	S1-07339469003	1	1	1	1	
6	10	S1-02817383000	TOPCAP ASSEM,AFFINITY HE OD	S1-02817383000	1	1	1	1	
6	11	S1-36390117700	NUT,ACORN KIT #8-32 UNC	S1-36390117700	6	6	6	6	
6	13	S1-02818870000	WIREWAY,D CABINET	S1-02818870000	1	1	1	1	
6	14	S1-02440880000	MTR,COND,NO CONTROLLER,1/3 HP,208/230V	S1-02440880000	1	1	1	1	
6	14	S1-32440880005	MTR,COND,W/ CNTRL,1/3 HP,PWM,208/230V	S1-32440880005	1	1	1	1	
6	15	S1-02818408000	SHIELD,RAIN,OD ECM	S1-02818408000	1	1	1	1	
6	16	S1-02649677000	FAN,PROP,26 INCH,CW,3-30 DEG,0.5 IN BORE	S1-02649677000	1	1	1	1	
6	17	S1-02817073000	MOUNT,COIL,FOAM MOLDED,TF1,CUT TO LENGTH	S1-02817073000	1				
6	17	S1-02817074000	MOUNT,COIL,FOAM MOLDED,TF2,CUT TO LENGTH	S1-02817074000		1	1	1	
6	18	S1-02647771000	GUARD,FAN,BLACK,26 INCH (D)	S1-02647771000	1	1	1	1	

Suggested stocking items are shown with shaded item number.

Section : MISCELLANEOUS

Section	Callout	Replacement Part #	Description	Original Part #	YXT24B2 1S	YXT36B2 1S	YXT48B2 1S	YXT60B2 1S	
8	NS	S1-01005639000	INSULATION,FOAM PAD	S1-01005639000	2	1	2	1	
8	NS	S1-02118396000	SCREW,AB,#10 X 3/8 INCH,BLACK (M25)	S1-02118396000	37	37	37	37	
8	NS	S1-02118397000	SCREW,AB,#10 X 3/4",BLACK (M25)	S1-02118397000	8	8	8	8	
8	NS	S1-02527642000	CABLE STRAP,BLACK	S1-02527642000	3	3	4	3	
8	526	S1-02440885000	CONTROLLER,COND,1/3 HP,PWM,208/230V	S1-02440885000	1	1	1	1	

Suggested stocking items are shown with shaded item number.

Section : WIRING DIAGRAMS / VFD PARAMETERS

Section	Callout	Replacement Part #	Description	Original Part #	YXT24B2 1S	YXT36B2 1S	YXT48B2 1S	YXT60B2 1S	
9	NS	5390883	WIRING DIAGRAM - 5.5 X 8.5	5390883	1	1	1	1	

Suggested stocking items are shown with shaded item number.

Section : HARNESSSES

Section	Callout	Replacement Part #	Description	Original Part #	YXT24B2 1S	YXT36B2 1S	YXT48B2 1S	YXT60B2 1S	
10	NS	S1-02549806000	HARNESS,COMPRESSOR W/PLUG	S1-02549806000	1	1	1	1	
10	NS	S1-02549807000	HARNESS,COMM,CNTRL INPUT,NO SHIELD	S1-02549807000	1	1	1	1	
10	NS	S1-02550193000	HARNESS,COMPRESSOR SOLENOID W/PLUG	S1-02550193000	1	1	1	1	
10	NS	S1-02550194000	HARNESS,LOW VOLTAGE,AC	S1-02550194000	1	1	1	1	
10	NS	S1-02550196000	HARNESS,LOW SPEED,AC	S1-02550196000	1	1	1	1	

Suggested stocking items are shown with shaded item number.

Model series repair parts lists are generated for each model number from the last production bill of material.

Major components and suggested stocking items are shown with shaded item number.

Repair parts lists are subject to change without notice.

TO ORDER AUTHORIZED FACTORY REPLACEMENT PARTS - Contact your Source1 HVAC Parts Distributor or visit our website at www.Source1Parts.com for a Distributor and Dealer listing.

Copyright © 2024 by Johnson Controls Inc. All rights reserved.

Johnson Controls Unitary Products