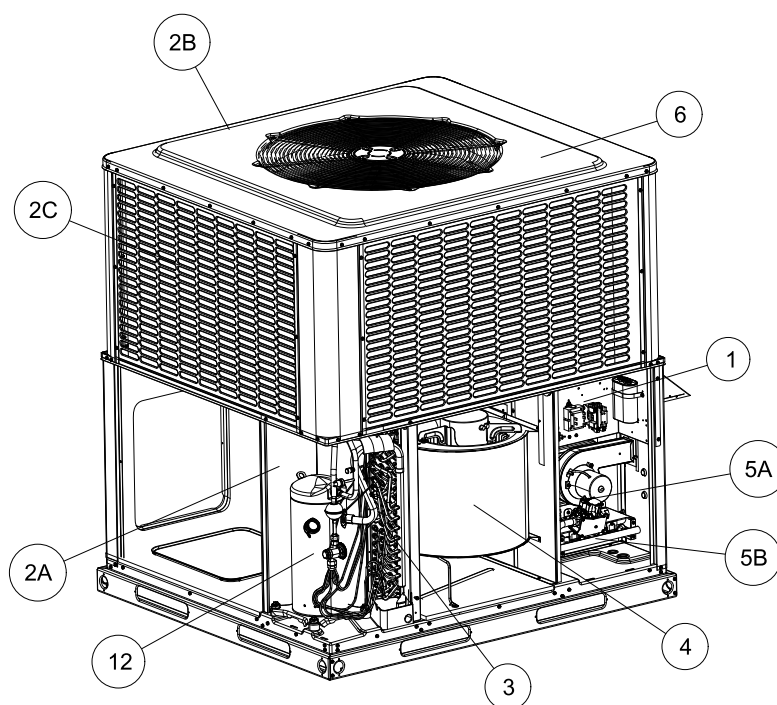


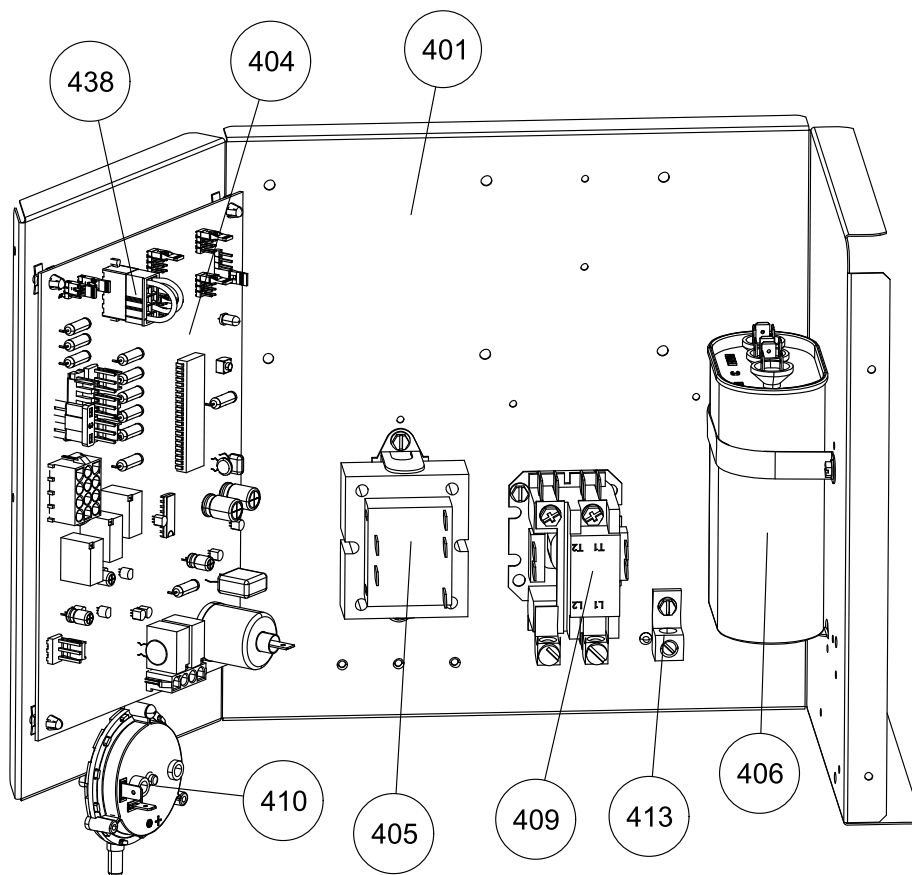
REPAIR PARTS LIST

PRINTED DATE: 1/29/2025

The information provided to you may include Johnson Controls' trade secrets, intellectual property, and confidential business information (including its Bill of Materials), and this information is to be kept in the strictest confidence and not to be disclosed to any third party without the prior written consent of Johnson Controls.



Section	Description
1	ELECTRICAL BOX / CONTROLS
2	SHEET METAL / CABINET PARTS
2A	SHEET METAL / INTERIOR PANELS
2B	SHEET METAL / CABINET PARTS- BACK
2C	SHEET METAL / CABINET PARTS- FRONT
3	REFRIGERATION SYSTEM
4	INDOOR BLOWER PARTS
5A	HEAT EXCHANGER
5B	BURNER ASSEMBLY
6	ROOF ASSEM / OUTDOOR FAN AND MOTOR PARTS
8	MISCELLANEOUS
9	WIRING DIAGRAM / VFD PARAMETER
10	HARNESSES
12	COMPRESSOR



Section : ELECTRICAL BOX / CONTROLS

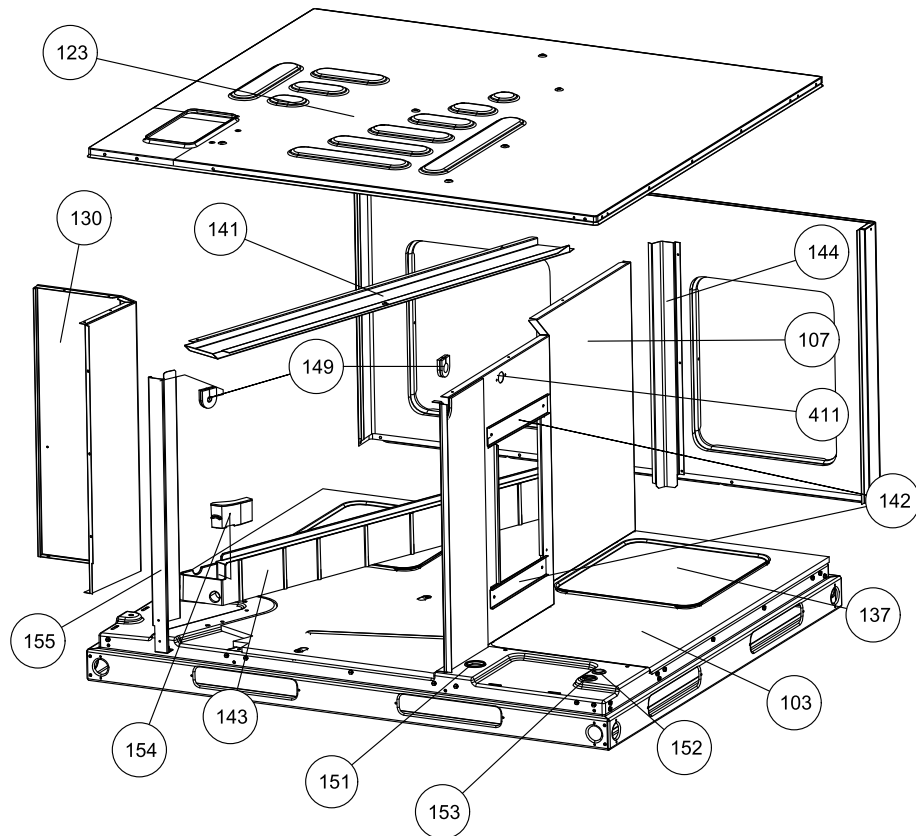
Section	Callout	Replacement Part #	Description	Original Part #	PCG6A24 0502X4	PCG6A36 0752X4	PCG6A36 1002X4	PCG6B48 1002X4	PCG6B60 1252X4
1	NS	S1-02527174000	HARNES, WIRE	S1-02527174000	1	1	1	1	1
1	404	S1-03103884000	BOARD, CIRCUIT, 2 STG, GAS IGNIT, W/ PWM	S1-03103884000	1	1	1	1	1
1	405	S1-02518452700	TRNSF, 208/240V, 24V/40VA, 50/60 HZ	S1-02518452700	1	1	1	1	1
1	406	S1-02423998700	CAP, RUN DUAL, 35/5MFD, 370V, ROUND	S1-02423998700	1				
1	406	S1-02425528700	CAP, RUN DUAL, 45/7.5MFD, 440V, OVAL	S1-02425528700					1
1	406	S1-02436330000	CAP, RUN, DUAL, 40/7.5 MFD, 440V, OVAL	S1-02436330000		1	1		
1	406	S1-02440887000	CAPACITOR, RUN, 35.0/7.5 MFD, 440V	S1-02440887000				1	
1	409	S1-02425837700	CNTCTR, ELECTRICAL, SPNO, 40A, 24V	S1-02425837700	1	1	1	1	1
1	410	S1-02436332000	SWITCH, PRES, AIR, -.010 IWC ON FALL, SPNO	S1-02436332000	1	1	1	1	1
1	413	S1-02521798000	LUG, GROUND, ELECTRICAL ALUMINUM 1.06 X .5	S1-02521798000	1	1	1	1	1
1	438	S1-02527167000	PLUG, ID	S1-02527167000					1
1	438	S1-02543275000	ID PLUG, COMM AV24	S1-02543275000	1				
1	438	S1-02543279000	ID PLUG, COMM MV12B	S1-02543279000		1			
1	438	S1-02543280000	ID PLUG, COMM MV12D	S1-02543280000			1		

1	438	S1-02545263000	PLUG,ID,080C16	S1-02545263000				1	
---	-----	----------------	----------------	----------------	--	--	--	---	--

Suggested stocking items are shown with shaded item number.

Section	Callout	Replacement Part #	Description	Original Part #	PCG6A24 0502X4	PCG6A36 0752X4	PCG6A36 1002X4	PCG6B48 1002X4	PCG6B60 1252X4
---------	---------	--------------------	-------------	-----------------	-------------------	-------------------	-------------------	-------------------	-------------------

Suggested stocking items are shown with shaded item number.

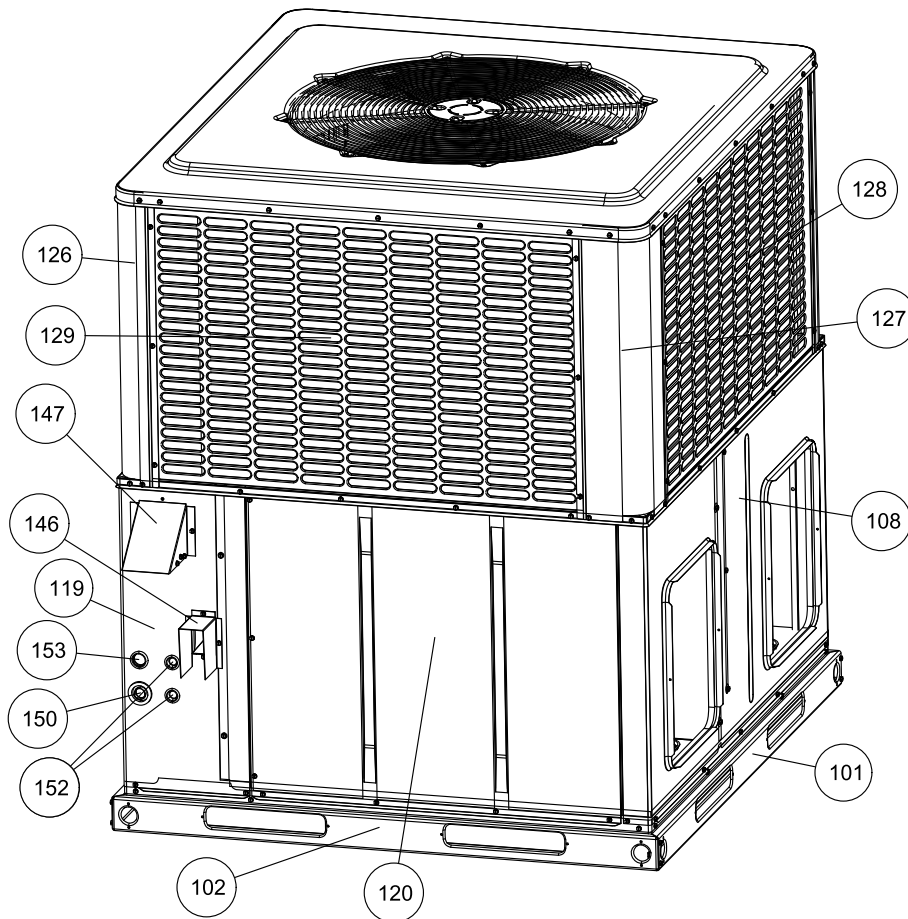


Section : SHEET METAL / INTERIOR PANELS

Section	Callout	Replacement Part #	Description	Original Part #	PCG6A24 0502X4	PCG6A36 0752X4	PCG6A36 1002X4	PCG6B48 1002X4	PCG6B60 1252X4
2A	NS	S1-07349008001	SHIELD,BURNER	S1-07349008001	1	1	1	1	1
2A	103	S1-37327988001	BASE PAN ASSEM,LARGE	S1-37327988001				1	1
2A	103	S1-37327988002	BASE PAN ASSEM,SMALL	S1-37327988002	1	1	1		
2A	107	S1-37347186001	DECK,BLOWER,LG 10,RESPAK	S1-37347186001				1	1
2A	107	S1-37347187001	DECK,BLOWER,SM 10,RESPAK	S1-37347187001		1	1		
2A	107	S1-37347188001	DECK,BLOWER,SM 8,RESPAK	S1-37347188001	1				
2A	123	S1-37347176001	PNL,ASSEM,MID PAN,SM,RESPAK	S1-37347176001	1	1	1		
2A	123	S1-37347177001	PNL,ASSEM,MID PAN,LG,RESPAK	S1-37347177001				1	1
2A	130	S1-37347178001	PNL,ASSEM,COMPRESSOR BARRIER,RESPAK	S1-37347178001	1	1	1	1	1
2A	137	S1-37327995001	PANEL ASSEM,DUCT COVER,10X16	S1-37327995001	2	2	2		
2A	137	S1-37327995002	PANEL ASSEM,DUCT COVER,14X16	S1-37327995002				2	2
2A	141	S1-07339388001	PANEL,COIL BLOCKOFF,LARGE	S1-07339388001				1	1
2A	141	S1-07339388002	PANEL,COIL BLOCKOFF,SMALL	S1-07339388002	1	1	1		
2A	142	S1-07339386001	BRACKET,BLOWER RETAINER	S1-07339386001	2	2	2	2	2

2A	143	S1-37339497001	DRAIN PAN ASSEM,RES PAK,SM	S1- 37339497 001	1	1	1		
2A	143	S1-37339497002	DRAIN PAN ASSEM,RES PAK,LG	S1- 37339497 002				1	1
2A	144	S1-37347185001	PNL,COIL BLOCKOFF REAR,RESPAK	S1- 37347185 001	1	1	1	1	1
2A	149	S1-02530823001	GROMMET,D,SPLIT,0.5 DIAMETER	S1- 02530823 001	2	2	2	2	2
2A	151	S1-02814787000	GROMMET,1-5/8 INCH	S1- 02814787 000	1	1	1	1	1
2A	152	S1-02815853000	PLUG,SEAL 7/8 INCH HOLE BLACK	S1- 02815853 000	3	3	3	3	3
2A	153	S1-02816466000	PLUG,PLASTIC,1-3/32 INCH	S1- 02816466 000	2	2	2	2	2
2A	154	S1-02817076001	INSERT,DRAIN PAN	S1- 02817076 001	1	1	1	1	1
2A	155	S1-37347182001	PNL,COIL BLOCKOFF,FRONT 4R,RESPAK	S1- 37347182 001					1
2A	155	S1-37347183001	PNL,COIL BLOCKOFF,FRONT 3R,RESPAK	S1- 37347183 001		1	1	1	
2A	155	S1-37347184001	PNL,COIL BLOCKOFF,FRONT 2R,RESPAK	S1- 37347184 001	1				
2A	411	S1-02442183000	CNTRL,TEMP,275/255 (O/C),SPST	S1- 02442183 000	1	1	1	1	1
2A	411	S1-02541320000	CNTRL,TEMP,140 OPEN,100 CLOSE,AUTO	S1- 02541320 000	1	1	1	1	1

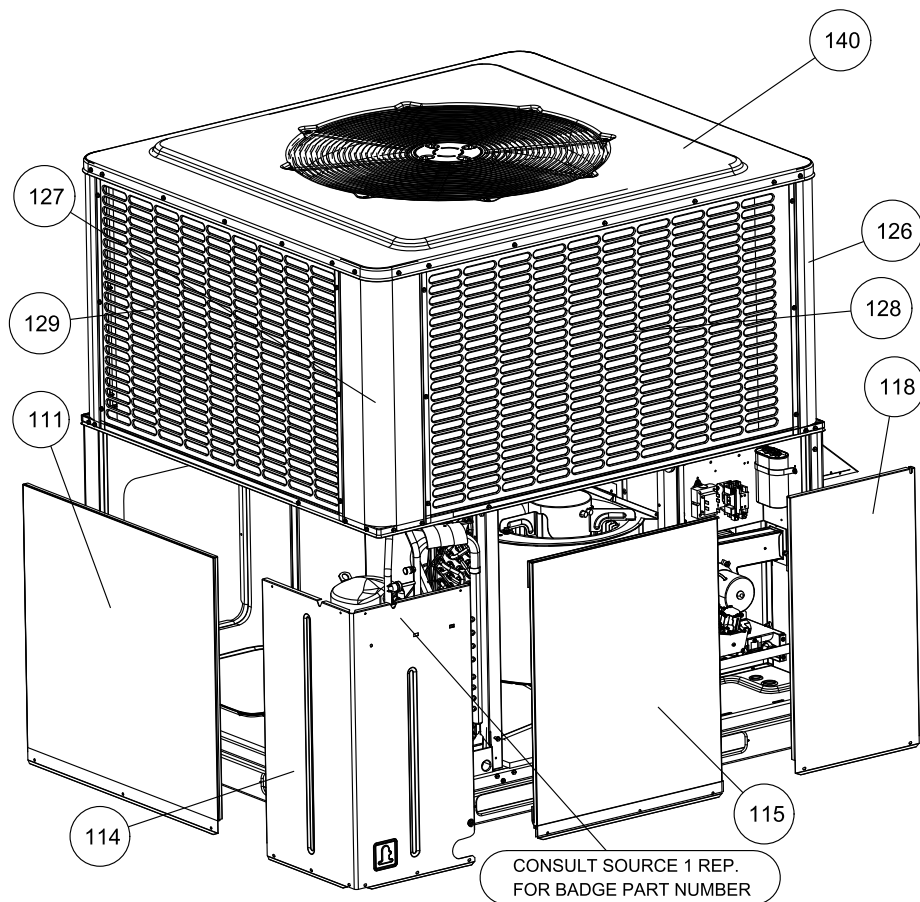
Suggested stocking items are shown with shaded item number.


Section : SHEET METAL / CABINET PARTS- BACK

Section	Callout	Replacement Part #	Description	Original Part #	PCG6A24 0502X4	PCG6A36 0752X4	PCG6A36 1002X4	PCG6B48 1002X4	PCG6B60 1252X4
2B	101	S1-07327986001	BASE RAIL,FRONT & REAR	S1-07327986001	2	2	2	2	2
2B	102	S1-07327986002	BASE RAIL,SIDE,LARGE	S1-07327986002				2	2
2B	102	S1-07327986003	BASE RAIL,SIDE,SMALL	S1-07327986003	2	2	2		
2B	108	S1-37327989001	PANEL ASSEM,REAR DUCT,LARGE	S1-37327989001				1	1
2B	108	S1-37327989002	PANEL ASSEM,REAR DUCT,SMALL	S1-37327989002	1	1	1		
2B	120	S1-37347174001	PNL,ASSEM.HEAT EXCH ACCESS,SM,RESPAK	S1-37347174001	1	1	1		
2B	120	S1-37347175001	PNL,ASSEM.HEAT EXCH ACCESS,LG,RESPAK	S1-37347175001				1	1
2B	126	S1-07346546001	POST,CORNER,RESPAK,12 IN,SMALL,CHAMP	S1-07346546001	2				
2B	126	S1-07346548001	POST,CORNER,RESPAK,16 IN,SMALL,CHAMP	S1-07346548001		2	2	2	
2B	126	S1-07346549001	POST,CORNER,RESPAK,19 IN,SMALL,CHAMP	S1-07346549001					2
2B	127	S1-07346539001	POST,CORNER,RESPAK,12 IN,LARGE,CHAMP	S1-07346539001	2				
2B	127	S1-07346541001	POST,CORNER,RESPAK,16 IN,LARGE,CHAMP	S1-07346541001		2	2	2	
2B	127	S1-07346542001	POST,CORNER,RESPAK,19 IN,LARGE,CHAMP	S1-07346542001					2
2B	128	S1-37346525001	GUARD,COIL,RESPAK,12 IN,FRONT&REAR,CHAMP	S1-37346525001	2				

2B	128	S1-37346527001	GUARD,COIL,RESPAK,16 IN,FRONT&REAR,CHAMP	S1- 37346527 001		2	2	2	
2B	128	S1-37346528001	GUARD,COIL,RESPAK,19 IN,FRONT&REAR,CHAMP	S1- 37346528 001					2
2B	129	S1-37346520001	GUARD,COIL,RESPAK,16 IN,LARGE SIDE,CHAMP	S1- 37346520 001				2	
2B	129	S1-37346521001	GUARD,COIL,RESPAK,19 IN,LARGE SIDE,CHAMP	S1- 37346521 001					2
2B	129	S1-37346532001	GUARD,COIL,RESPAK,12 IN,SMALL SIDE,CHAMP	S1- 37346532 001	2				
2B	129	S1-37346534001	GUARD,COIL,RESPAK,16 IN,SMALL SIDE,CHAMP	S1- 37346534 001		2	2		
2B	147	S1-36393686001	HOOD,RAIN,FLUE,SS,(VENT AIR OUTLET)	S1- 36393686 001	1	1	1	1	1
2B	150	S1-02804859900	GRMMT,PVC,0.88D X 1.63 MTG	S1- 02804859 900	1	1	1	1	1
2B	152	S1-02815853000	PLUG,SEAL 7/8 INCH HOLE BLACK	S1- 02815853 000	3	3	3	3	3
2B	153	S1-02816466000	PLUG,PLASTIC,1-3/32 INCH	S1- 02816466 000	2	2	2	2	2

Suggested stocking items are shown with shaded item number.

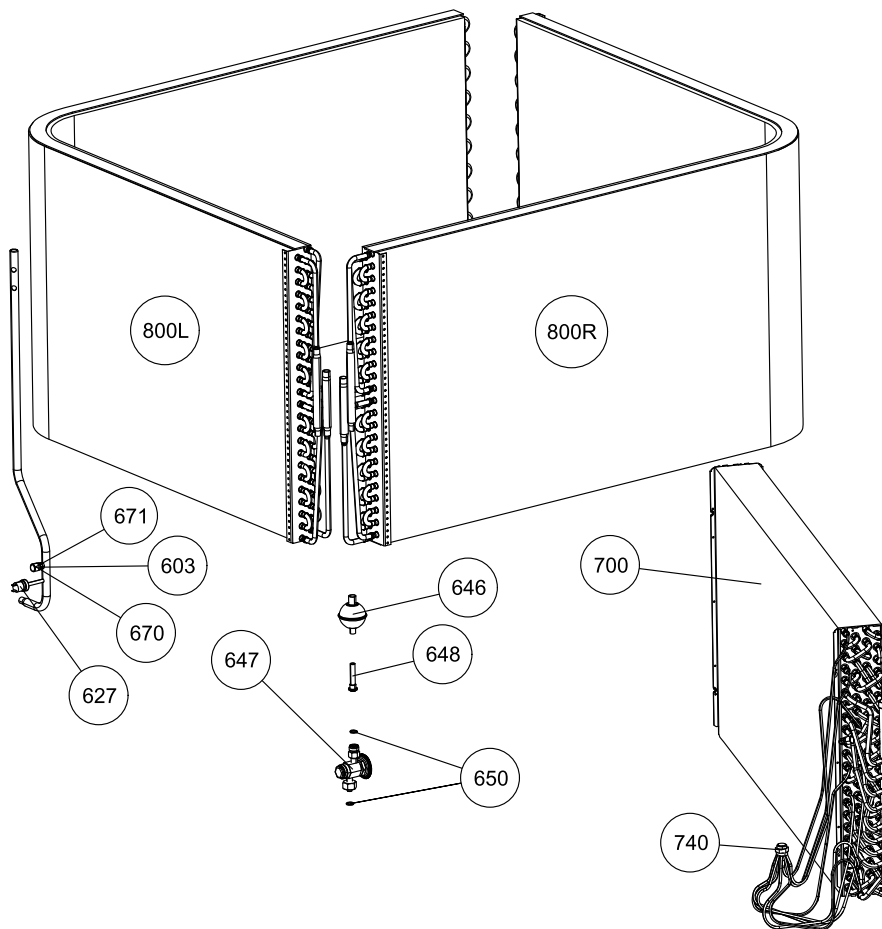


Section : SHEET METAL / CABINET PARTS- FRONT

Section	Callout	Replacement Part #	Description	Original Part #	PCG6A24 0502X4	PCG6A36 0752X4	PCG6A36 1002X4	PCG6B48 1002X4	PCG6B60 1252X4
2C	111	S1-37327990001	PANEL ASSEM,COIL & FILTER ACCESS,SMALL	S1-37327990001	1	1	1		
2C	111	S1-37327990002	PANEL ASSEM,COIL & FILTER ACCESS,LARGE	S1-37327990002				1	1
2C	114	S1-07339375001	PANEL,COMPRESSOR ACCESS	S1-07339375001	1	1	1	1	1
2C	115	S1-37347171001	PNL,ASSEM,ACCESS,BLOWER,RESPAK	S1-37347171001	1	1	1	1	1
2C	118	S1-07339498002	PANEL,BURNER,CONTROL ACCESS	S1-07339498002	1	1	1	1	1
2C	126	S1-07346546001	POST,CORNER,RESPAK,12 IN,SMALL,CHAMP	S1-07346546001	2				
2C	126	S1-07346548001	POST,CORNER,RESPAK,16 IN,SMALL,CHAMP	S1-07346548001		2	2	2	
2C	126	S1-07346549001	POST,CORNER,RESPAK,19 IN,SMALL,CHAMP	S1-07346549001					2
2C	127	S1-07346539001	POST,CORNER,RESPAK,12 IN,LARGE,CHAMP	S1-07346539001	2				
2C	127	S1-07346541001	POST,CORNER,RESPAK,16 IN,LARGE,CHAMP	S1-07346541001		2	2	2	
2C	127	S1-07346542001	POST,CORNER,RESPAK,19 IN,LARGE,CHAMP	S1-07346542001					2
2C	128	S1-37346525001	GUARD,COIL,RESPAK,12 IN,FRONT&REAR,CHAMP	S1-37346525001	2				
2C	128	S1-37346527001	GUARD,COIL,RESPAK,16 IN,FRONT&REAR,CHAMP	S1-37346527001		2	2	2	
2C	128	S1-37346528001	GUARD,COIL,RESPAK,19 IN,FRONT&REAR,CHAMP	S1-37346528001					2

2C	129	S1-37346520001	GUARD,COIL,RESPAK,16 IN,LARGE SIDE,CHAMP	S1- 37346520 001				2	
2C	129	S1-37346521001	GUARD,COIL,RESPAK,19 IN,LARGE SIDE,CHAMP	S1- 37346521 001					2
2C	129	S1-37346532001	GUARD,COIL,RESPAK,12 IN,SMALL SIDE,CHAMP	S1- 37346532 001	2				
2C	129	S1-37346534001	GUARD,COIL,RESPAK,16 IN,SMALL SIDE,CHAMP	S1- 37346534 001		2	2		
2C	140	S1-07339378001	PANEL, TOP, LARGE	S1- 07339378 001				1	1
2C	140	S1-07339378002	PANEL, TOP, SMALL	S1- 07339378 002	1	1	1		

Suggested stocking items are shown with shaded item number.

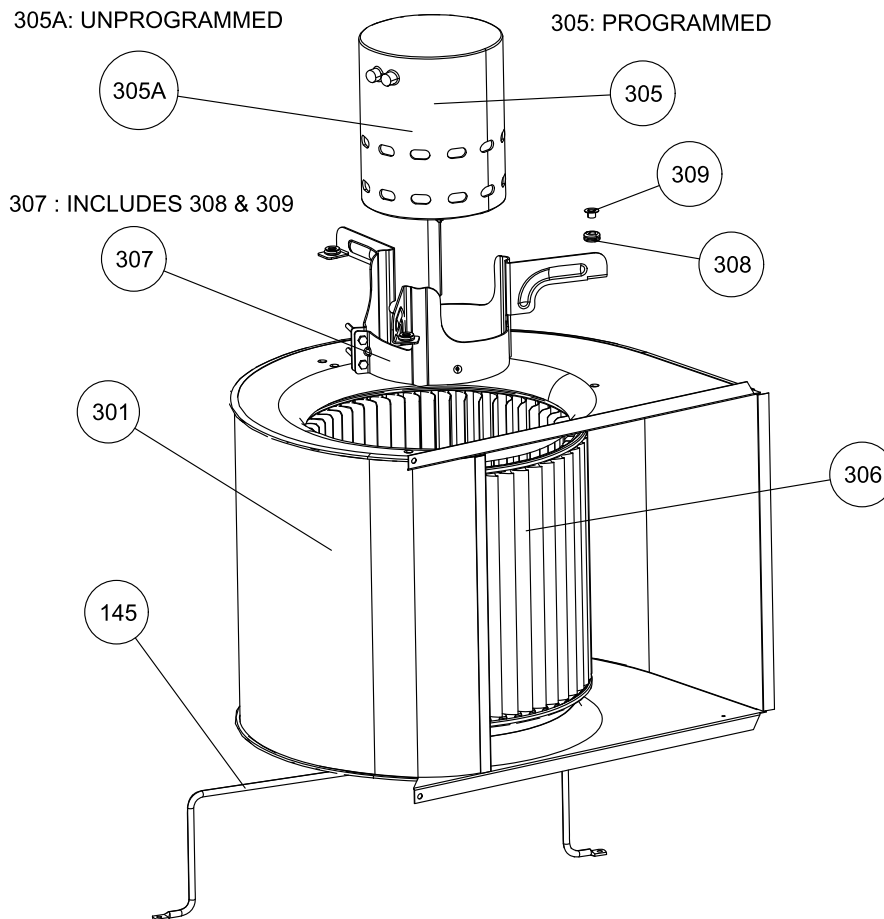


Section : REFRIGERATION SYSTEM

Section	Callout	Replacement Part #	Description	Original Part #	PCG6A24 0502X4	PCG6A36 0752X4	PCG6A36 1002X4	PCG6B48 1002X4	PCG6B60 1252X4
3	627	S1-02552057000	SWITCH,PRES,REFRIG,650/450 (O/C),PSIG	S1-02552057000	1	1	1	1	1
3	646	S1-400437	FILTER-DRIER,LIQUID 1/2 ODF,21 SQ IN	S1-400437	1	1	1	1	1
3	647	S1-02552073000	VLV,TXV,CHAT X CHAT,79.0 PSIG,SPORLAN	S1-02552073000	1				
3	647	S1-02552074000	VLV,TXV,CHAT X CHAT,83.1 PSIG,SPORLAN	S1-02552074000		1	1		
3	647	S1-02552075000	VLV,TXV,CHAT X CHAT,92.1 PSIG,SPORLAN	S1-02552075000				1	
3	647	S1-02552076000	VLV,TXV,CHAT X CHAT,92.5 PSIG,SPORLAN	S1-02552076000					1
3	650	S1-02131419000	WASHER,TXV	S1-02131419000	1	1	1	1	1
3	670	S1-02202475700	CORE,VLV,V PORT (M10)	S1-02202475700	2	2	2	2	2
3	671	S1-02310745000	CAP,SEAL,KNURLED 7/1	S1-02310745000	2	2	2	2	2
3	700	S1-37347158001	COIL,ASSEM,EVAP,W/DIST,3R,29.9 IN,16 FPI	S1-37347158001		1	1		
3	700	S1-37347159001	COIL,ASSEM,EVAP,W/DIST,3R,40.9 IN,16 FPI	S1-37347159001				1	
3	700	S1-37347160001	COIL,ASSEM,EVAP,W/DIST,4R,40.9 IN,16 FPI	S1-37347160001					1
3	800L	S1-37347161001	COIL,ASSEM,OUTDOOR,2R,12.8 IN,22 FPI,LH	S1-37347161001	1				
3	800L	S1-37347165001	COIL,ASSEM,OUTDOOR,2R,16.0 IN,22 FPI,LH	S1-37347165001		1	1		

3	800L	S1-37347167001	COIL,ASSEM,OUTDOOR,2R,16.0 IN,22 FPI,LH	S1-37347167001				1	
3	800L	S1-37347169001	COIL,ASSEM,OUTDOOR,2R,19.2 IN,22 FPI,LH	S1-37347169001					1
3	800R	S1-37347162001	COIL,OUTDOOR,2R,12.8 IN,22 FPI,RH	S1-37347162001	1				
3	800R	S1-37347166001	COIL,ASSEM,OUTDOOR,2R,16.0 IN,22 FPI,RH	S1-37347166001		1	1		
3	800R	S1-37347168001	COIL,ASSEM,OUTDOOR,2R,16.0 IN,22 FPI,RH	S1-37347168001				1	
3	800R	S1-37347170001	COIL,ASSEM,OUTDOOR,2R,19.2 IN,22 FPI,RH	S1-37347170001					1

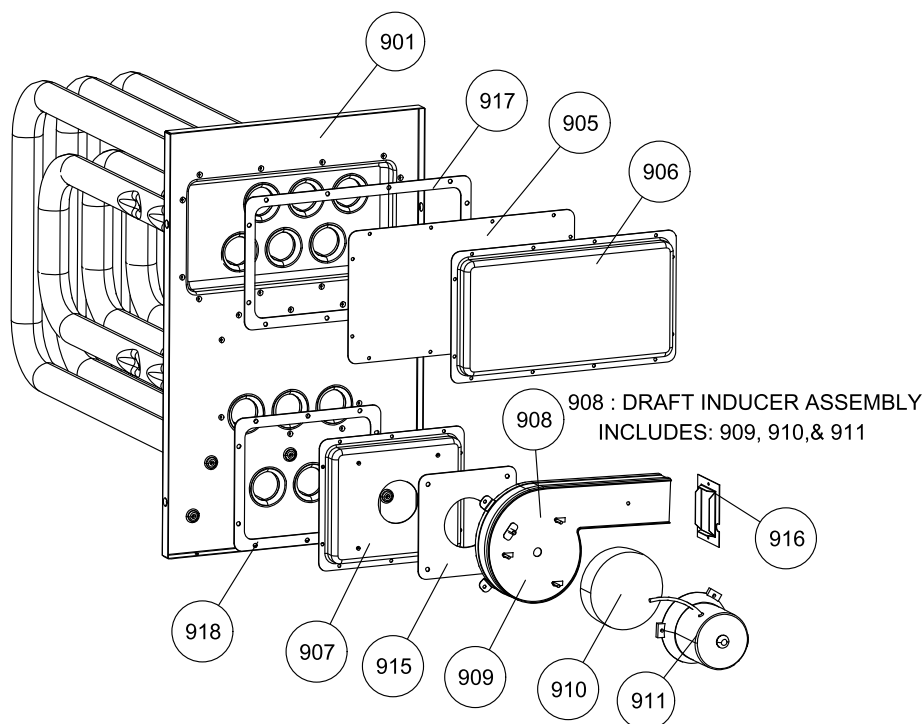
Suggested stocking items are shown with shaded item number.



Section : INDOOR BLOWER PARTS

Section	Callout	Replacement Part #	Description	Original Part #	PCG6A24 0502X4	PCG6A36 0752X4	PCG6A36 1002X4	PCG6B48 1002X4	PCG6B60 1252X4
4	145	S1-02647773000	SUPPORT,BLOWER,8 INCH HOUSING	S1-02647773000	1				
4	145	S1-02647774000	SUPPORT,BLOWER,10 INCH HOUSING	S1-02647774000		1	1	1	1
4	301	S1-37347154001	HOUSING,BLOWER,11-8	S1-37347154001	1				
4	301	S1-37347155001	HOUSING,BLOWER,11-10	S1-37347155001		1	1	1	1
4	305	S1-02436333000	MTR,BLW,1/3,1400,CWLE,230-1-60,ENH ECM	S1-02436333000	1				
4	305	S1-02436334000	MTR,BLW,1/2,1400,CWLE,230-1-60,ENH ECM	S1-02436334000		1			
4	305	S1-02436335000	MTR,BLW,3/4,1400,CWLE,230-1-60,ENH ECM	S1-02436335000			1	1	
4	305	S1-02436336000	MTR,BLW,1,1400,CWLE,230-1-60,ENH ECM	S1-02436336000					1
4	306	S1-02647766000	WHL,BLW,11 X 8,CCW,1/2 INCH BORE	S1-02647766000	1				
4	306	S1-02647767000	WHL,BLW,11 X 10,CCW,1/2 INCH BORE	S1-02647767000		1	1	1	1
4	307	S1-37319831002	MOUNT,MOTOR KIT	S1-37319831002	1	1	1	1	1
4	308	S1-02814740000	GROMMET,NEOPRENE,5/8D X 0.281 MTG	S1-02814740000	3	3	3	3	3
4	309	S1-02320541000	FERRULE	S1-02320541000	3	3	3	3	3

Suggested stocking items are shown with shaded item number.

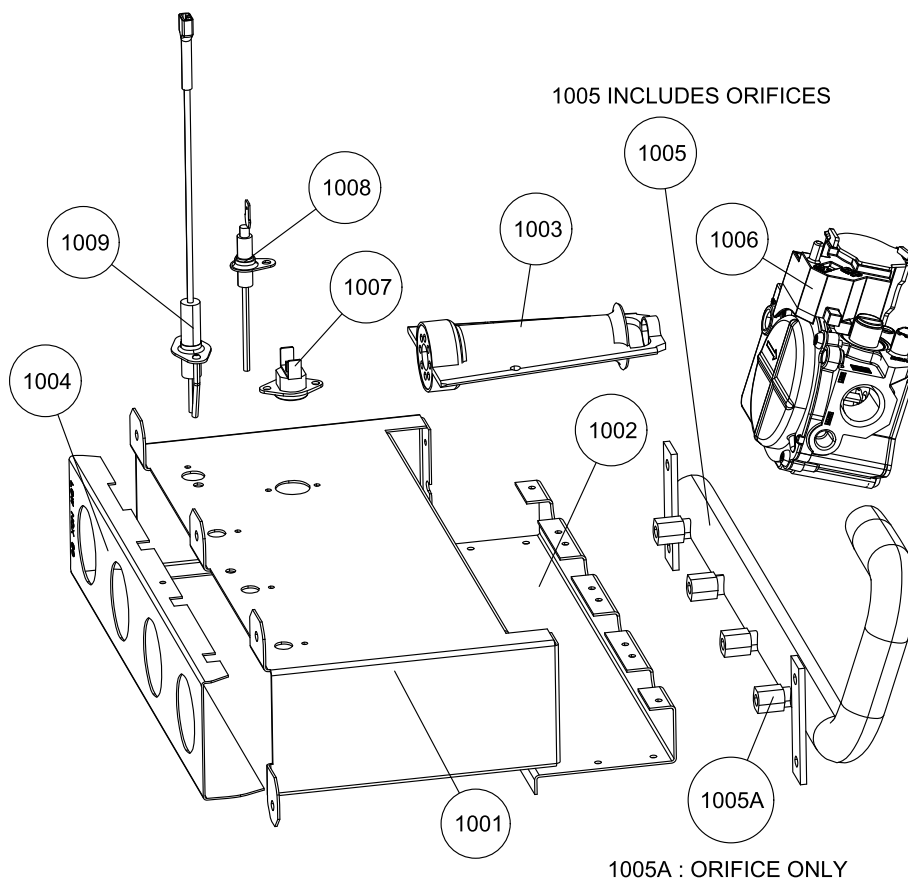


Section : HEAT EXCHANGER

Section	Callout	Replacement Part #	Description	Original Part #	PCG6A24 0502X4	PCG6A36 0752X4	PCG6A36 1002X4	PCG6B48 1002X4	PCG6B60 1252X4
5A	NS	S1-02635452000	LOW NOX BURNER SCREEN 8 X 8 MESH	S1-02635452000	2	3	4	3	4
5A	NS	S1-02811957001	TUBING,0.125 ID,CLEAR SILICONE (M10)	S1-02811957000	1	1	1	1	1
5A	NS	S1-07339387001	BRACKET,RESTRICTOR,FLUE,38	S1-07339387001					1
5A	NS	S1-07339387003	BRACKET,RESTRICTOR,FLUE,75	S1-07339387003				1	
5A	NS	S1-07339387004	BRACKET,RESTRICTOR,FLUE,83	S1-07339387004			1		
5A	NS	S1-07339387005	BRACKET,RESTRICTOR,FLUE,1.05	S1-07339387005	1	1			
5A	901	S1-37327997001	HEAT EXCHANGER,SMALL,2P2S	S1-37327997001	1				
5A	901	S1-37327997002	HEAT EXCHANGER,SMALL,3P3S	S1-37327997002		1			
5A	901	S1-37327997003	HEAT EXCHANGER,SMALL,4P3S	S1-37327997003			1		
5A	901	S1-37327997005	HEAT EXCHANGER,LARGE,3P3S	S1-37327997005				1	
5A	901	S1-37327997006	HEAT EXCHANGER,LARGE,4P3S	S1-37327997006					1
5A	905	S1-07339390001	PANEL,HEAT SHIELD	S1-07339390001	1	1	1	1	1
5A	906	S1-07339392002	PAN,COVER	S1-07339392002	1	1	1	1	1
5A	907	S1-07327987001	PAN,INDUCER	S1-07327987001	1	1	1	1	1

5A	911	S1-02650621000	BLOWER,COMBUSTION,2 STG,50-125K BTU	S1- 02650621 000	1	1	1	1	1
5A	915	S1-02816463000	GASKET,DRAFT INDUCER	S1- 02816463 000	2	1	1	1	1
5A	916	S1-02816464000	GASKET,DRAFT INDUCER,OUTLET	S1- 02816464 000	1	1	1	1	1
5A	917	S1-02816465000	GASKET,DRAFT INDUCER PAN	S1- 02816465 000	1	1	1	1	1
5A	918	S1-02816462000	GASKET,COVER PAN	S1- 02816462 000	1	1	1	1	1

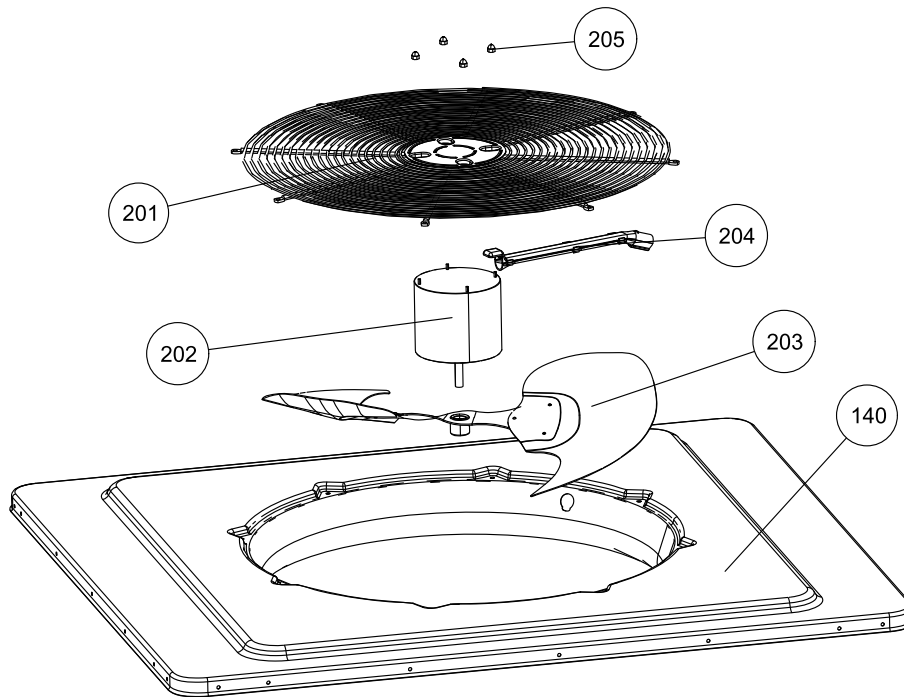
Suggested stocking items are shown with shaded item number.



Section : BURNER ASSEMBLY

Section	Callout	Replacement Part #	Description	Original Part #	PCG6A24 0502X4	PCG6A36 0752X4	PCG6A36 1002X4	PCG6B48 1002X4	PCG6B60 1252X4
5B	NS	S1-37327943001	KIT,BURNER ALIGNMENT BRKT	S1-37327943001	1	2	2	2	2
5B	1001	S1-07339370001	BOX,BURNER	S1-07339370001	1	1	1	1	1
5B	1002	S1-07339394001	SUPPORT,BURNER	S1-07339394001	1	1	1	1	1
5B	1003	S1-02922473000	BURNER,GAS,MAIN,1 TUBE	S1-02922473000	2	3	4	3	4
5B	1004	S1-07339384001	RETAINER,LO-NOX	S1-07339384001	1	1	1	1	1
5B	1005	S1-02926834000	MANIFOLD,2 BURNER WITH ORIFICES,50K	S1-02926834000	1				
5B	1005	S1-02926836000	MANIFOLD,3 BURNER WITH ORIFICES,75K	S1-02926836000		1			
5B	1005	S1-02926837000	MANIFOLD,3 BURNER WITH ORIFICES,100K	S1-02926837000				1	
5B	1005	S1-02926838000	MANIFOLD,4 BURNER WITH ORIFICES,100K	S1-02926838000			1		
5B	1005	S1-02926839000	MANIFOLD,4 BURNER WITH ORIFICES,125K	S1-02926839000					1
5B	1006	S1-02544124000	VLV,GAS,SLOW OPEN,WR TWO STAGE,J STYLE	S1-02544124000	1	1	1	1	1
5B	1007	S1-02541318000	SWITCH,LIMIT 250 MANUAL RESET	S1-02541318000	1	1	1	1	1
5B	1008	S1-02553193000	SENSOR,FLAME,90 DEGREE BEND	S1-02553193000	1	1	1	1	1
5B	1009	S1-02547172000	IGNITOR,SPARK	S1-02547172000	1	1	1	1	1

Suggested stocking items are shown with shaded item number.


Section : ROOF ASSEM / OUTDOOR FAN AND MOTOR PARTS

Section	Callout	Replacement Part #	Description	Original Part #	PCG6A24 0502X4	PCG6A36 0752X4	PCG6A36 1002X4	PCG6B48 1002X4	PCG6B60 1252X4
6	140	S1-07339378001	PANEL, TOP, LARGE	S1-07339378001				1	1
6	140	S1-07339378002	PANEL, TOP, SMALL	S1-07339378002	1	1	1		
6	201	S1-02647770000	GUARD, FAN, BLACK, 24 INCH (C)	S1-02647770000	1	1	1		
6	201	S1-02647771000	GUARD, FAN, BLACK, 26 INCH (D)	S1-02647771000				1	1
6	202	S1-02442195000	MTR, COND, 1/8, 790/1, CWLE, 230 -1-60	S1-02442195000	1				
6	202	S1-02442196000	MTR, COND, 1/3, 850/1, CWLE, 230 -1-60	S1-02442196000		1	1	1	1
6	203	S1-02635436000	FAN, PROP, 24, CW, 2-18, 0.5 BORE (SEE TEXT)	S1-02635436000	1				
6	203	S1-02642434000	FAN, PROP, 24, CW, 3-28, 1/2 INCH BORE (TEXT)	S1-02642434000		1	1		
6	203	S1-02647782000	FAN, PROP, 26 INCH, CW, 2-32, 1/2 INCH BORE	S1-02647782000				1	1
6	204	S1-02818869000	WIREWAY, C CABINET	S1-02818869000	1	1	1		
6	204	S1-02818870000	WIREWAY, D CABINET	S1-02818870000				1	1
6	205	S1-36390117700	NUT, ACORN KIT #8-32 UNC	S1-36390117700	4	4	4	4	4

Suggested stocking items are shown with shaded item number.

Section : MISCELLANEOUS

Section	Callout	Replacement Part #	Description	Original Part #	PCG6A24 0502X4	PCG6A36 0752X4	PCG6A36 1002X4	PCG6B48 1002X4	PCG6B60 1252X4
8	NS	6059295	Screw Shoulder Hex-w 5/16 UNF L=1-1/2in	6059295	4	4	4	4	4
8	NS	6478484	COVER - EXHAUST HOOD	6478484	1	1	1	1	1
8	NS	6523729	PANEL-UTILITY GAS CHAMPAGNE FP	6523729	1	1	1	1	1
8	NS	S1-02134584000	SCREW,HEX,10-16,5/8 LG,BLK,PVCSEAL(M100)	S1- 02134584 000	205	2	2	5	219
8	NS	S1-02527642000	CABLE STRAP,BLACK	S1- 02509607 000	13	13	13	2	2
8	NS	S1-07339375001	PANEL,COMPRESSOR ACCESS	S1- 07339375 001	1	1	1	1	1
8	NS	S1-07339389001	PANEL,CONTROL,GAS	S1- 07339389 001	1	1	1	1	1
8	NS	S1-37347157001	COIL,ASSEM,EVAP,W/DIST,2R, 29.9 IN,16 FPI	S1- 37347157 001	1				
8	NS	S1-37347158001	COIL,ASSEM,EVAP,W/DIST,3R, 29.9 IN,16 FPI	S1- 37347158 001		1	1		

Suggested stocking items are shown with shaded item number.

Section : WIRING DIAGRAM / VFD PARAMETER

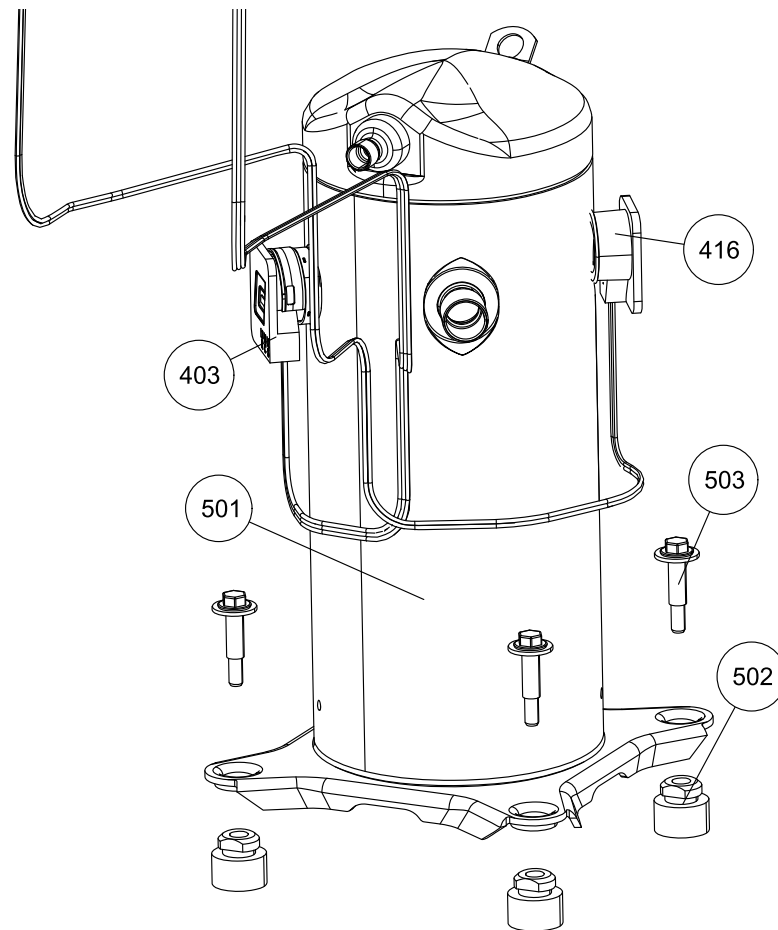
Section	Callout	Replacement Part #	Description	Original Part #	PCG6A24 0502X4	PCG6A36 0752X4	PCG6A36 1002X4	PCG6B48 1002X4	PCG6B60 1252X4
9	NS	5202052	WIRING DIAGRAM - 11.0 X 17.0	5202052	1	1	1	1	1

Suggested stocking items are shown with shaded item number.

Section : HARNESES

Section	Callout	Replacement Part #	Description	Original Part #	PCG6A24 0502X4	PCG6A36 0752X4	PCG6A36 1002X4	PCG6B48 1002X4	PCG6B60 1252X4
10	NS	S1-02552058000	HARNESS,COMPRESSOR,LG,1 PH	S1- 02552058 000	1	1	1	1	1
10	NS	S1-02527174000	HARNESS,WIRE	S1- 02527174 000	1	1	1	1	1

Suggested stocking items are shown with shaded item number.



Section : COMPRESSOR

Section	Callout	Replacement Part #	Description	Original Part #	PCG6A24 0502X4	PCG6A36 0752X4	PCG6A36 1002X4	PCG6B48 1002X4	PCG6B60 1252X4
12	NS	S1-02549142000	HEATER,CC W/TEMP SWITCH,28 IN LEADS	S1-02549142000	1	1	1	1	1
12	403	S1-02552058000	HARNESS,COMPRESSOR,LG,1 PH	S1-02552058000	1	1	1	1	1
12	501	S1-01505246004	COMPR,SCROLL,208/230-1-60,R-410A,POE	S1-01505246004				1	
12	501	S1-01505247004	COMPR,SCROLL,208/230-1-60,R-410A,POE	S1-01505247004					1
12	501	S1-01505248004	COMPR,SCROLL,208/230-1-60,R-410A,POE	S1-01505248004	1				
12	501	S1-01505250004	COMPR,SCROLL,208/230-1-60,R-410A,POE	S1-01505250004		1	1		
12	502	S1-02809519000	ISOLATOR,COMPRESSOR	S1-02809519000	4	4	4	4	4

Suggested stocking items are shown with shaded item number.

Model series repair parts lists are generated for each model number from the last production bill of material.

Major components and suggested stocking items are shown with shaded item number.

Repair parts lists are subject to change without notice.

TO ORDER AUTHORIZED FACTORY REPLACEMENT PARTS - Contact your Source1 HVAC Parts Distributor or visit our website at www.Source1Parts.com for a Distributor and Dealer listing.

Copyright © 2025 by Johnson Controls Inc. All rights reserved.

Johnson Controls Unitary Products